

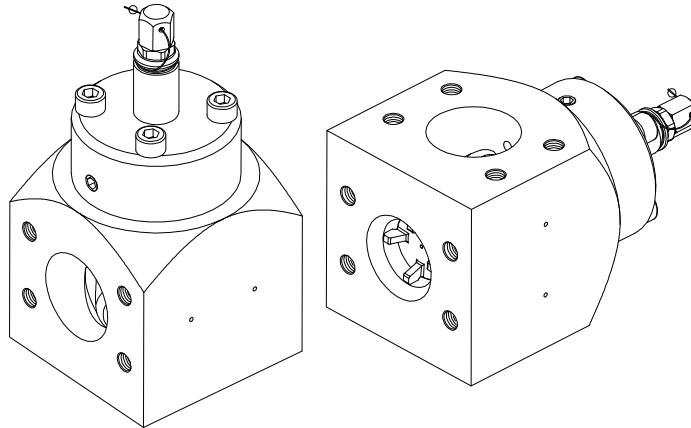
Pressure relief valve VMPI (pilot – operated)

For hydraulic oils, lubricating oils, fuel and cooling lubricants oils.



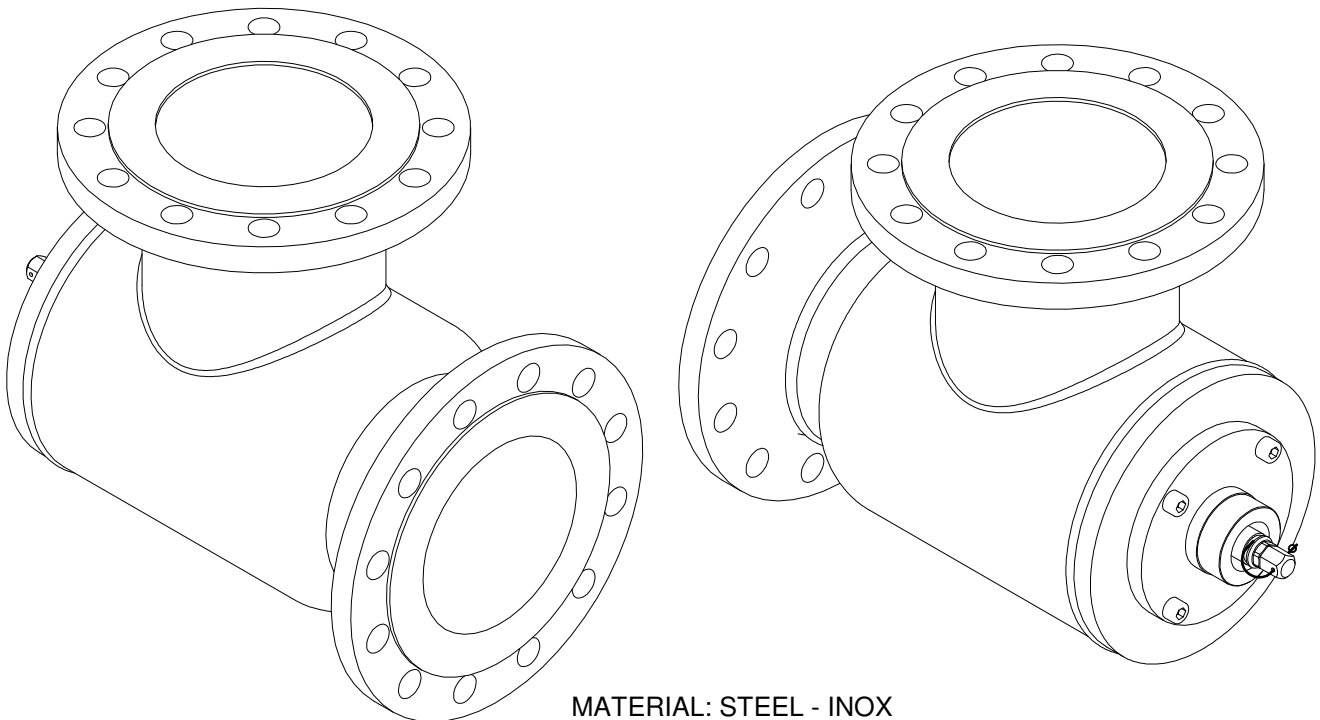
External view

SERIES 030
042
060



MATERIAL: CAST IRON G25 - STEEL

SERIES 095
155



MATERIAL: STEEL - INOX

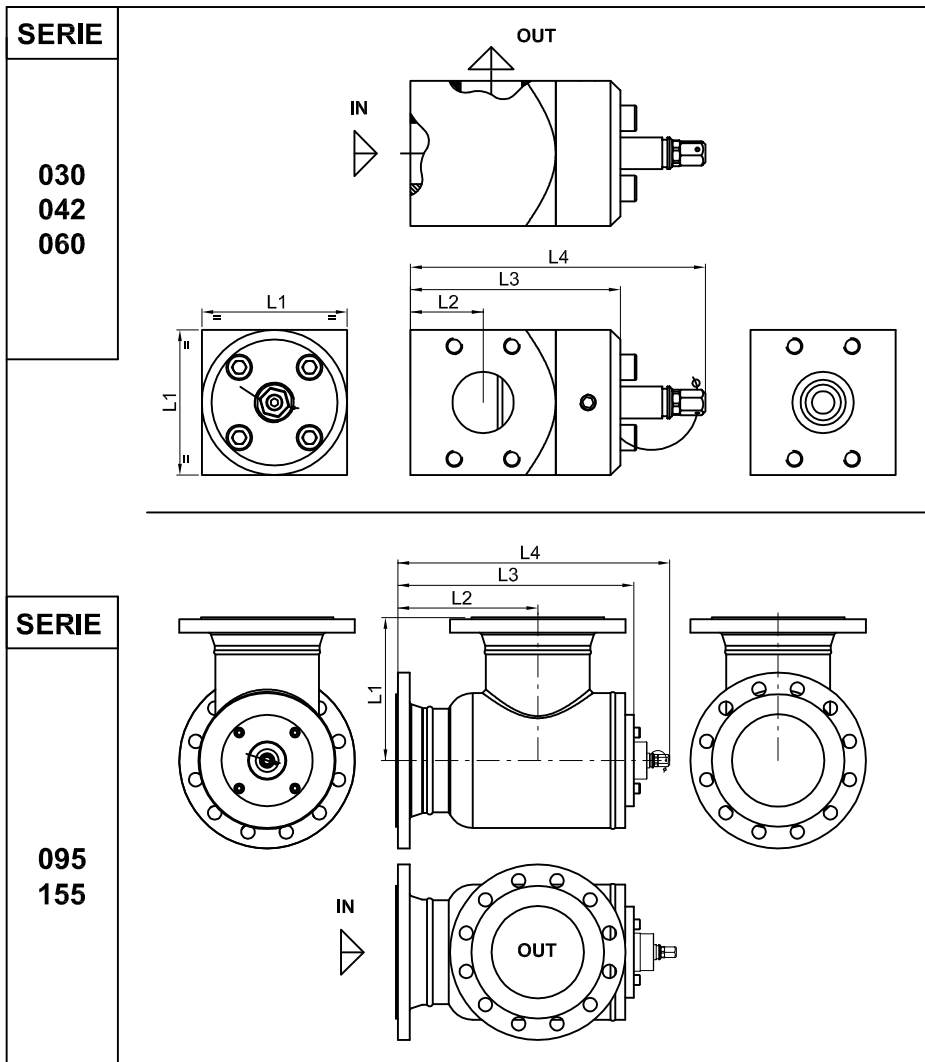
Standard performances for standard versions.

Delivery flow	from 30 to 10000 l/min (from 7,9 to 2640 USGPM)	
Maximum pressure	See dimensional chart	For different values contact SEIM
Kinematics viscosity	From 3 to 400 cSt	For different values contact SEIM
Admissible temperature	from 0 to 100 °C (from 32 to 212 °F)	For different values contact SEIM
Reccomended filtration	60 micron max (not abrasive contaminant) ISO4406 19 / 16 – NAS 10	

* For every model standard characteristics see specific charts.
For different functional characteristics, please contact our sales department.

Pressure relief valve VMPI (pilot – operated)

For hydraulics oils, lubricating oils, fuel and cooling lubricant oils.



SD - STE - VMPI - ENG 02-09 - 2

Dimensional chart (mm) and standard performances.

MODEL	DELIVERY FLOW l/min	PRESSURE* bar	IN - OUT		L1 mm	L2 mm	L3 mm	L4 mm
			STANDARD REF.	SIZE				
VMPI 030	30 ÷ 600	2 ÷ 50	SAE J 516 - 518 3000 psi	1"1/2	90	50	90	185
VMPI 042	60 ÷ 1200	2 ÷ 50	SAE J 516 - 518 3000 psi	2"	110	55	150	205
VMPI 060	120 ÷ 2400	2 ÷ 50	SAE J 516 - 518 3000 psi	3"	140	90	155	250
VMPI 095	250 ÷ 5000	2 ÷ 16	DN - PN 16 ANSI - ASA -150	150 6"	230	230	366	440
VMPI 155	500 ÷ 10000	2 ÷ 16	DN - PN 16 ANSI - ASA -150	200 8"	300	300	480	610

* Setting range

SPECIAL VERSIONS: up to 150 bar for VMPI030 and VMPI042, 100 bar for VMPI060

SEIM srl
Via A. Volta 17
20090 Cusago (MI) ITALY
Tel. (+39) 02.90.39.21.1
Fax (+39) 02.90.39.21.41
e-mail: seim@seim.it

www.seim.it

SEIM reserves the right to introduce dimensional changes or variation to the products of this technical data.