

Screw pumps – PZ series

For hydraulic oils, lubricating oils. Special version for heavy fuel.

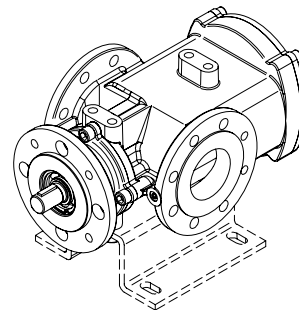
Admissible delivery pressure (continuous) = 16 bar from 1000 to 1800 rpm.



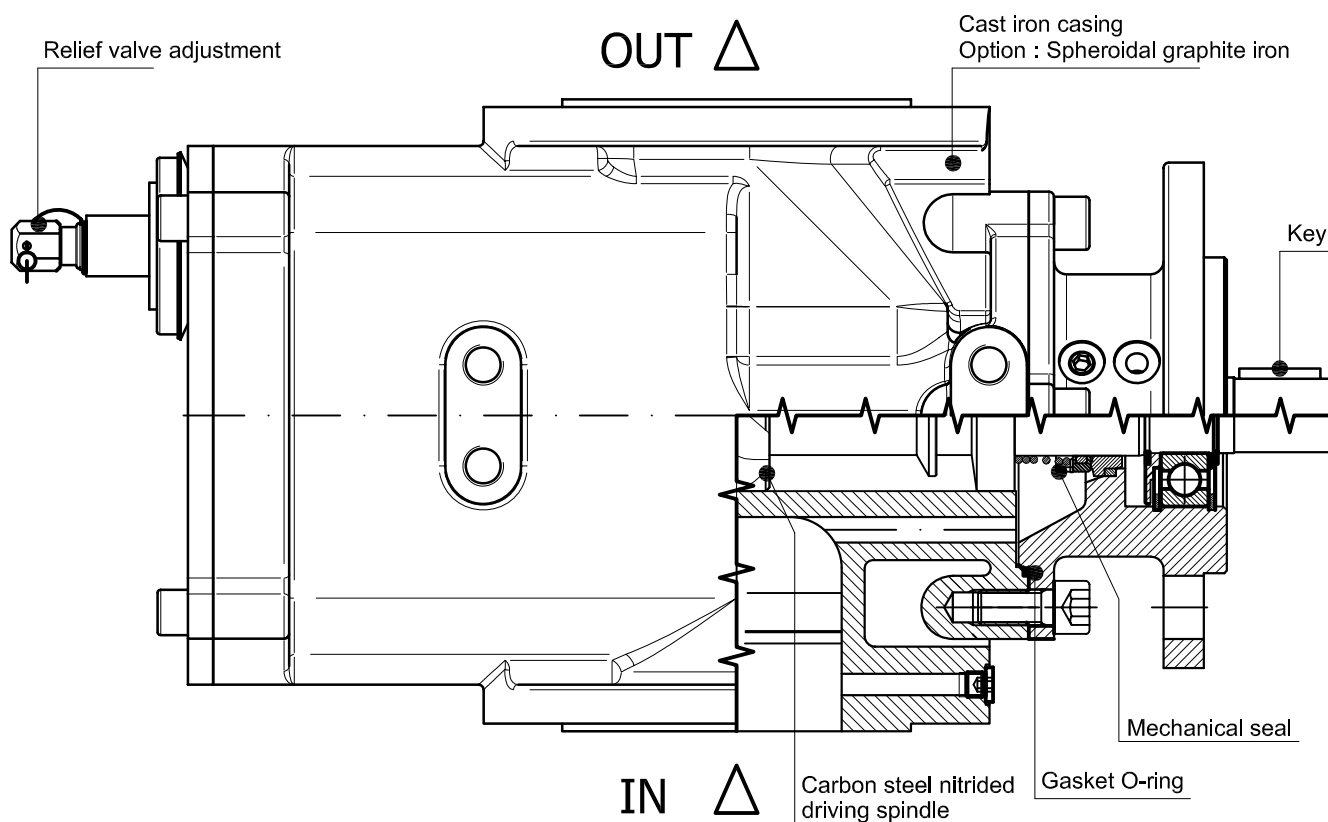
Main field of application:

Pumps for lubrication systems and auxiliary cooling, with relief valve.

Special version magnetic coupling .



Section and components



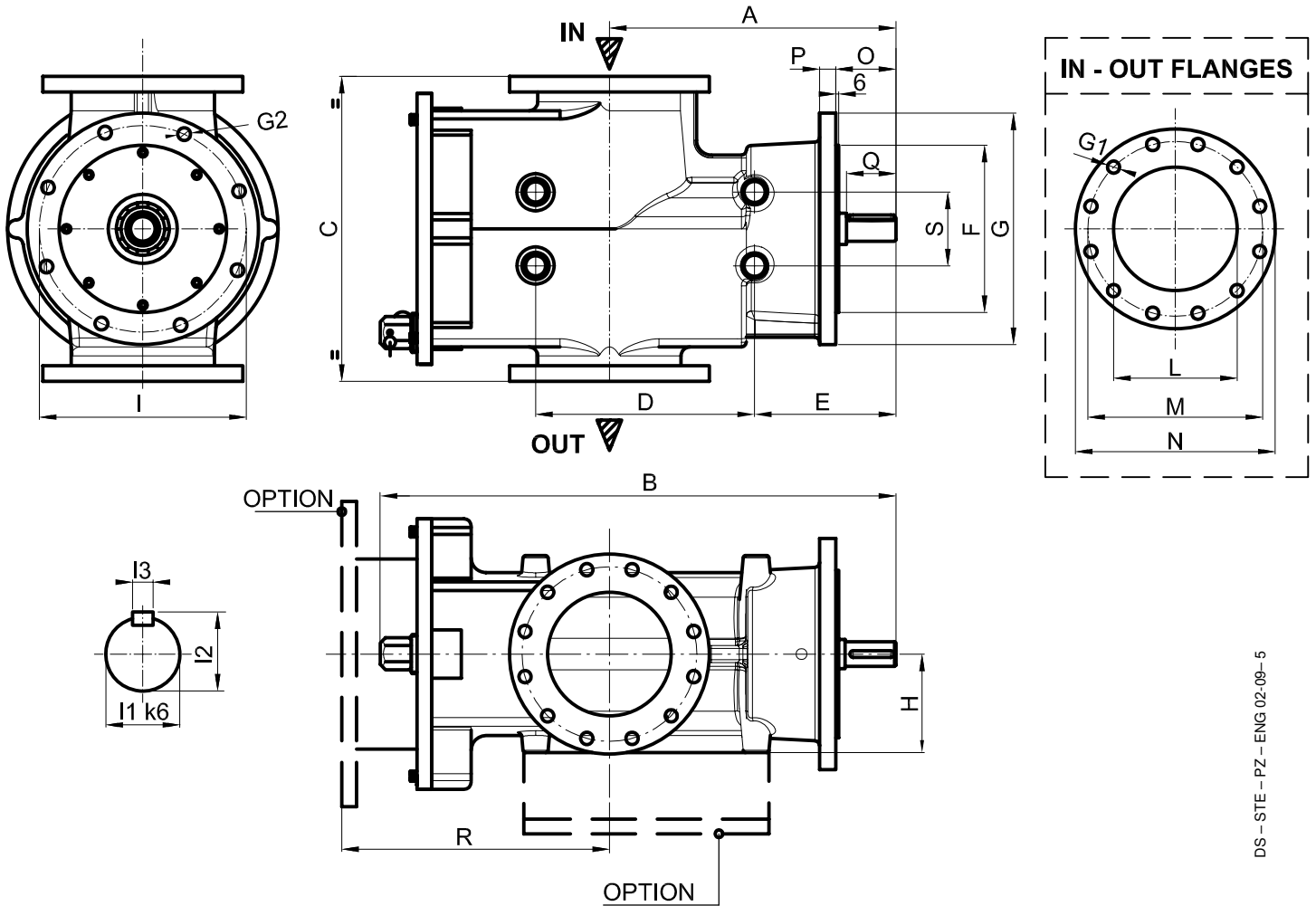
Functional characteristics standard version

Delivery flow	up to 5400 l/min (up to 1425 USGPM)	
Admissible delivery pressure*	up to 16 bar (232 psi) from 1000 to 1800 rpm	
Admissible suction pressure	from -0,5 to 10 bar (from -7,3 to 145 psi)	For different values contact SEIM
Kinematics viscosity	from 10 to 400 cSt STD (< 5000 cSt special)	For different values contact SEIM
Admissible temperature	from 0 to 120 °C (from 32 to 248 °F)	For different values contact SEIM
Driving speed	1500 – 1800 and up to 3000 - 3600 rpm	
Average noise level	65 ÷ 75 dB(A) at 1800 rpm according to pump dimension	
Reccomended oil filtration	60 micron max (not abrasive contaminant) ISO4406 19 / 16 – NAS 10	
Direction of rotation	Clockwise, as seen from the driving side	

* Reduced pressure limits apply due to fluid viscosity and driving speed
Consult the performance charts for the individual pump size
For different functional characteristics, please contact our sales department

Screw pumps – PZ series

For hydraulic oils, lubricating oils. Special version for heavy fuel.
Admissible delivery pressure (continuous) = 16 bar from 1000 to 1800 rpm



DS - STE - PZ - ENG 02.09-5

Dimensional chart (mm)

SIZE	A	B	C	D	E	F	G	G1	G2	H	I	I1	I2	I3	L	M	N	O	P	Q	R	S
PZ 040#3...	194	353	220	//	//	100	160	18	11	//	125	19	21.5	6	DN50 PN16	125	165	30	14	30	250	//
(h7)						(k6)																
PZ 045#3...	237	519	250	180	137	125	200	18	14	92.5	160	28	31	8	DN80 PN16	160	200	52	16	40	350	40
(h7)						(k6)																
PZ 072#3...	270	561	270	180	170	160	234	18	14	105	200	32	35	10	DN100 PN16	180	220	49	18	42	350	40
(h7)						(k6)																
PZ 083#3...	415	750	420	350	190	224	321	22	22	128	280	42	45	12	DN150 PN16	240	285	70	28	59	370	120
(h7)						(k6)																
PZ 102#3...	570	982	620	445	275	340	470	25	26	197	420	50	53.5	14	DN250 PN16	355	406	110	33	97	544	150
(h8)						(k6)																
PZ 126#3...																						
PZ 156#3...																						

SEIM srl
Via A. Volta 17
20090 Cusago (MI) ITALY
Tel. (+39) 02.90.39.21.1
Fax (+39) 02.90.39.21.41
e-mail: seim@seim.it

www.seim.it

SEIM reserves the right to introduce dimensional changes or variation to the products of this technical data