

Screw pumps - PXF series

For hydraulic oils, lubricating oils.

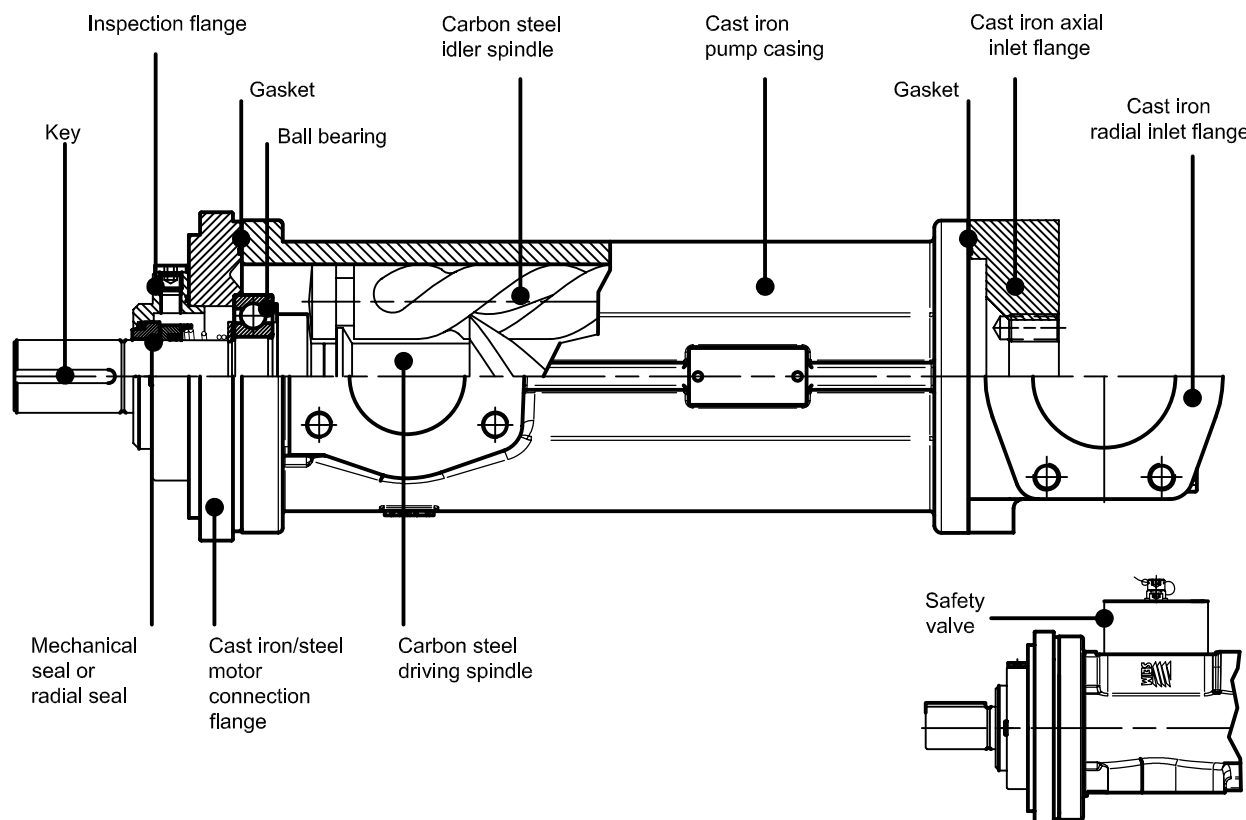
Admissible delivery pressure (continuous) = 30 bar at 2900 rpm.
16 bar (PXF 083 to PXF156).



Main field of application:

Industrial purpose, low pressure range:

lubrication, cooling, filtration system.



Functional characteristic standard version

Delivery flow	27 to 4000 l/min (7 to 1057 USGPM)	
Admissible delivery pressure*	PXF032-72 up to 30 bar (435 psi), special versions up to 40 bar PXF083-156 up to 16 bar (232psi)	
Admissible suction pressure	- 0,5 to 10 bar (-7,3 to 145 psi)	For different values contact SEIM
Kinematic viscosity	10 to 400 cSt	For different values contact SEIM
Admissible temperature	0 to 120°C (32 to 248°F)	For different values contact SEIM
Driving speed	750 to 3600 rpm	
Average noise level	53 - 68 dB(A) at 2900 rpm according to pump dimension	
Recommended filtration	60 micron max, suction side (not abrasive contaminant) ISO4406 19 / 16 - NAS 10	
Direction of rotation	clockwise, as seen from the driving side	
* Standard valve setting (where provided)	2 versions PXF032 to PXF040: mod.A: 0 to 7 bar (0 - 102 psi) mod.B: 7 to 16 bar (102 - 232 psi) only one version PXF045 to PXF083: mod.U: 0 to 16 bar (0 - 232 psi)	

* Reduced pressure limit apply due to fluid viscosity and driving speed.

Consult performance charts for the individual pump size.

For different functional characteristics, please contact our sales department.

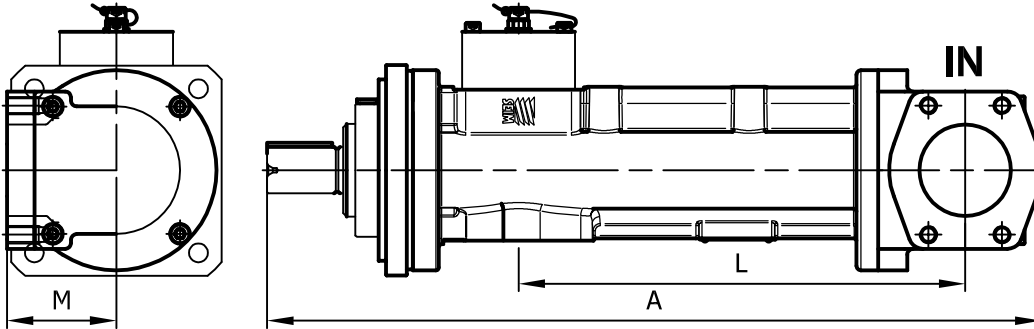
Screw pumps - PXF series

For hydraulic oils, lubricating oils.

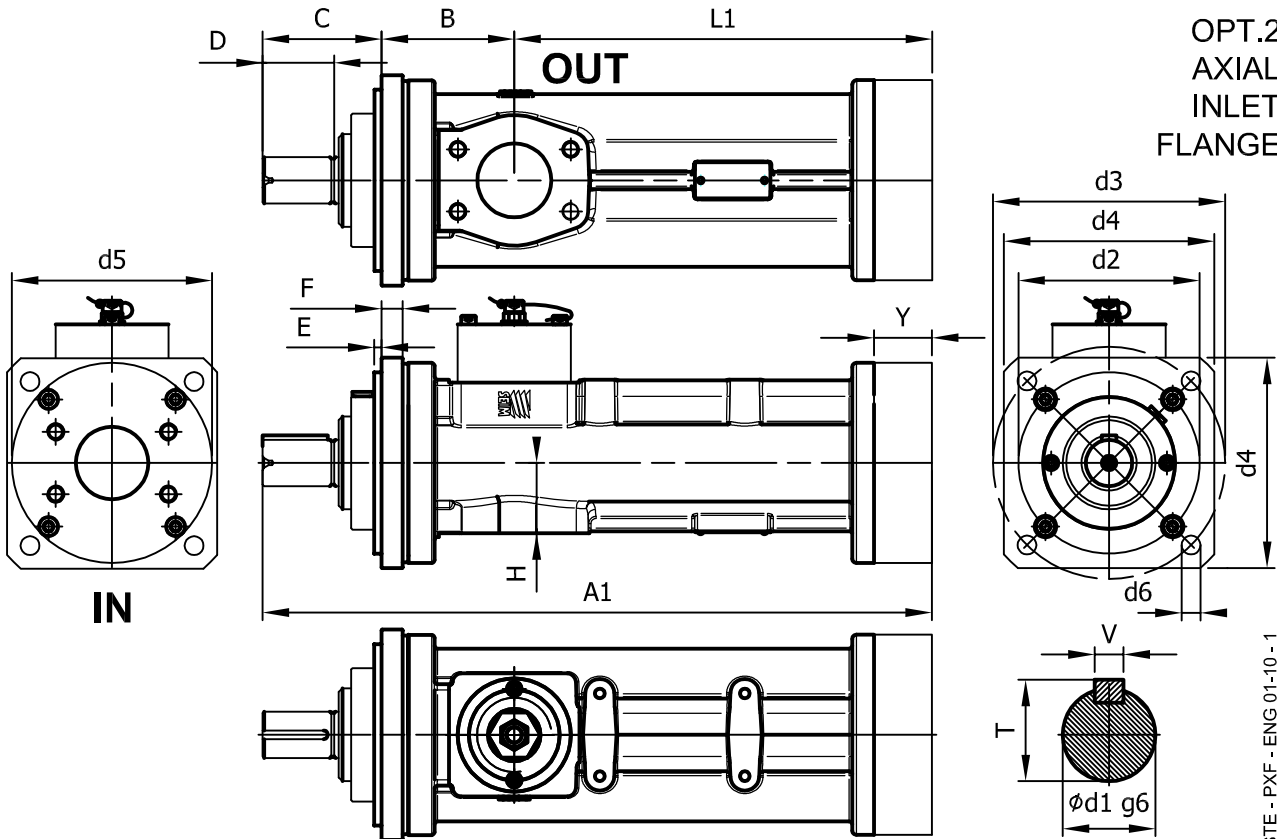
Admissible delivery pressure (continuous) = 30 bar at 2900 rpm.



OPT.1
RADIAL
INLET
FLANGE



OPT.2
AXIAL
INLET
FLANGE



SD - STE - PXF - ENG 01-10 - 1

Dimensional chart (mm)

MODEL	A	A1	B	C	D	E	F	H	L	L1	M	SAE 3000		Inlet flange adjustable to 90° and 180°									
												IN	OUT	T	V	d1	d2	d3	d4	d5	d6	Y	
PXF032#...	419	364	88	75	40	5	15	52	211	201	60	2"	1 1/2"	21,5	6	19	125	160	145	120	13	45	
PXF040#...	448	393	88	75	40	5	15	52	240	230	60	2"	1 1/2"	21,5	6	19	125	160	145	120	13	45	
PXF045#...	494	432	91,5	81	46	5	15	48,5	269	259	75,5	2 1/2"	2"	35	10	32	125	160	145	138	13	50	
PXF055#...	534	472	91,5	82	46	5	15	48,5	308	298	75,5	2 1/2"	2"	35	10	32	125	160	145	138	13	50	
PXF060#...	633	528	88	83,5	46	5	18	73,5	387	356	100	4"	2 1/2"	35	10	32	160	200	195	174	18	50	
PXF072#...	718	613	88	101	58	5	18	73,5	455	424	100	4"	2 1/2"	35	10	32	160	200	195	174	18	50	

SEIM srl
Via A. Volta 17
20090 Cusago (MI) ITALY
Tel. (+39) 02.90.39.21.1
Fax. (+39) 02.90.39.21.41
e-mail: seim@seim.it

Ask pumps drawing for all dimensional details.

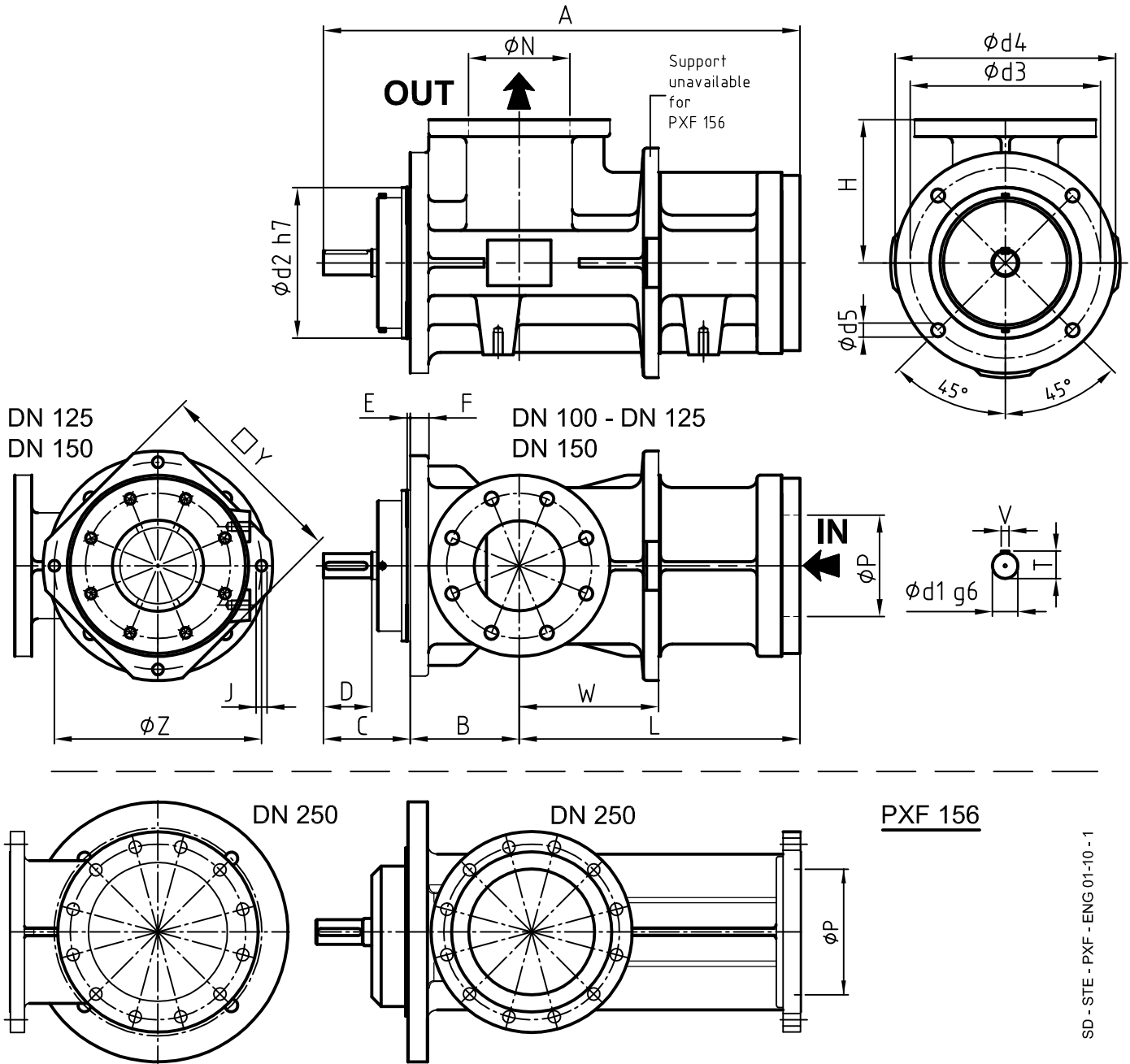
www.seim.it

SEIM reserves the right to introduce dimensional changes or variation to the products of this technical data.

Screw pumps - PXF series

For hydraulic oils, lubricating oils.

Admissible delivery pressure (continuous) = 16 bar.



SD - STE - PXF - ENG 01-10 - 1

Dimensional chart (mm)

(X) Without valve.
Option / radial suction - special.

MODEL	A	B	C	D	E	F	H	L	N	P	T	V	d1	d2	d3	d4	d5	Z	J	Y	W
PXF083	632	154	128	80	5	25	77	350	DN 100 PN 16	DN 125 PN 16	43	12	40	250	315	365	22	289	13	264	186
(X) PXF102	690	170	145	80	5	30	233	375	DN 125 PN 16	DN 150 PN 16	43	12	40	250	315	365	22	327	18	300	178
(X) PXF126	788	180,5	143	80	5	30	237	464	DN 150 PN 16	DN 150 PN 16	43	12	40	250	315	365	22	343	18	320	231
(X) PXF156	896	250	186	97	5	39	300	460	DN 250 PN 16	DN 250 PN 16	53,5	14	50	340	420	470	26	-	-	-	-

Ask pumps drawing for all dimensional details.

SEIM srl
Via A. Volta 17
20090 Cusago (MI) ITALY
Tel. (+39) 02.90.39.21.1
Fax. (+39) 02.90.39.21.41
e-mail: seim@seim.it

www.seim.it

SEIM reserves the right to introduce dimensional changes or variation to the products of this technical data.