

Screw pumps – PCX series

For hydraulic oils, lubricating oils

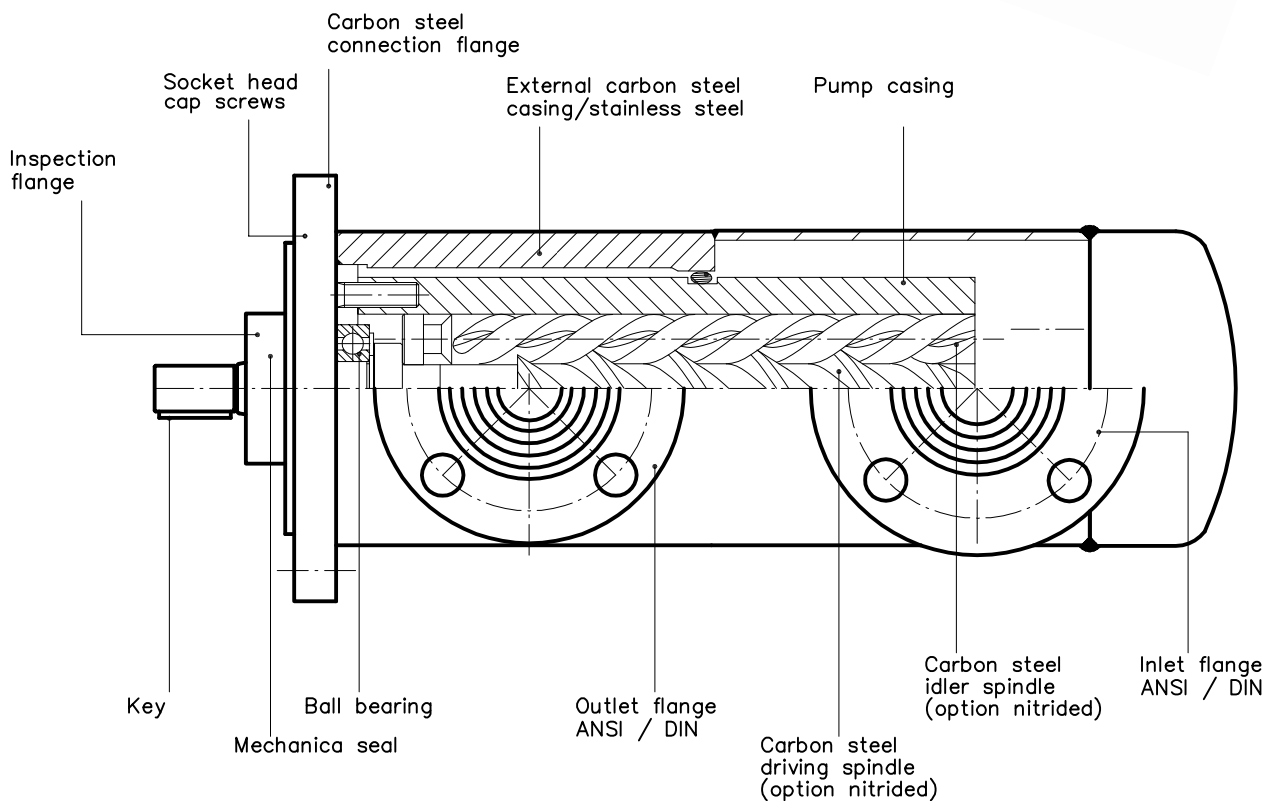
Admissible delivery pressure (continuous) = 30 bar at 2900 rpm and 1450 rpm



Main field of application:

Pumps for lubrication systems and auxiliary cooling, with steel body
Customized versions and API 676 II ed

Section and components



Functional characteristics standard version

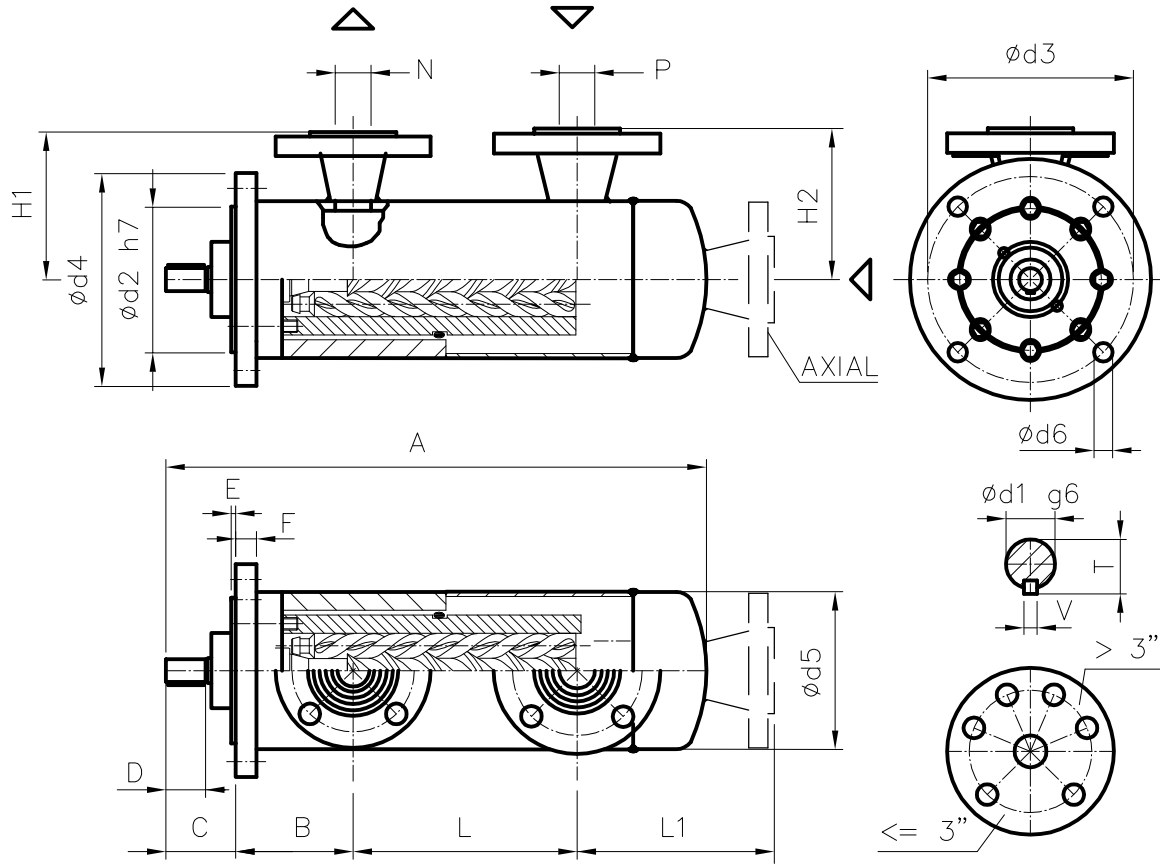
Delivery flow	10 to 5000 l/min (2,6 to 1350 USGPM)	
Admissible delivery pressure*	up to 30 bar (453,1 psi) at 1450 rpm and at 2900 rpm	
Admissible suction pressure	-0,5 to 10 bar (-7,3 to 145 psi)	For different values contact SEIM
Kinematics viscosity	10 to 400 cSt STD (< 5000 cSt Special)	For different values contact SEIM
Admissible temperature	0 to 120 °C (32 to 248 °F)	For different values contact SEIM
Driving speed	750 to 3600 rpm (1750 for 083 – 126)	
Average noise level	65 ÷ 75 dB(A) at 2900 rpm according to pump dimension	
Recommended filtration	60 micron max, suction side (not abrasive contaminant) ISO4406 19 / 16 – NAS 10	
Direction of rotation	clockwise, as seen from the driving side	

* Reduced pressure limits apply due to fluid viscosity and driving speed
Consult the performance charts for the individual pump size
For different functional characteristics, please contact our sales department

Screw pumps – PCX series

For hydraulic oils, lubricating oils

Admissible delivery pressure (continuous) = 30 bar at 2900 rpm
and 1450 rpm



Dimensional chart (mm)

Inlet flange can be set at origin to 90° and 180°.
N.B. : for other dimensions please contact Seim.

MODEL	A	B	C	D	E	F	H1	H2	L	L1	ANSI 150 RF				d1	d2	d3	d4	d5	d6
											P	N	T	V						
PCX025#6.R	374	93	50	24	5	18	119	119	170	115	1"	1"	16	5	14	160	200	234	141	18
PCX032#4.R	460	93	75	40	5	18	124	124	170	182	1 1/2"	1"	22	6	19	160	200	234	141	18
PCX040#4.R	460	93	75	40	5	18	172	172	170	182	2"	2"	22	6	19	160	200	234	141	18
PCX045#4.R	540	109	82	46	5	18	143	143	190	222	3"	2"	35	10	32	200	250	292	168	22
PCX055#4.R	540	109	82	46	5	18	143	143	195	222	4"	2"	35	10	32	200	250	292	168	22
PCX060#4.R	620	138	83	46	5	18	173	173	250	219	4"	3"	35	10	32	200	250	292	219	22
PCX072#3.R	638	138	101	58	5	18	173	173	250	218	4"	3"	35	10	32	200	250	292	219	22
PCX083#3.R	838	190	127	80	5	30	215	235	350	253	6"	4"	43	12	40	280	320	375	219	22
PCX102#3.R	914	190	144	80	5	30	203	268	350	316	6"	4"	43	12	40	315	360	415	273	22
PCX126#3.R	953	195	144	80	5	30	241	300	400	298	8"	6"	43	12	40	315	360	415	324	22
PCX156#3.R	1150	250	186	94	5	30	327	327	490	322	10"	10"	51	14	50	400	450	515	406	22

SEIM srl

Via A. Volta 17
20090 Cusago (MI) ITALY
Tel. (+39) 02.90.39.21.1
Fax (+39) 02.90.39.21.41
e-mail: seim@seim.it

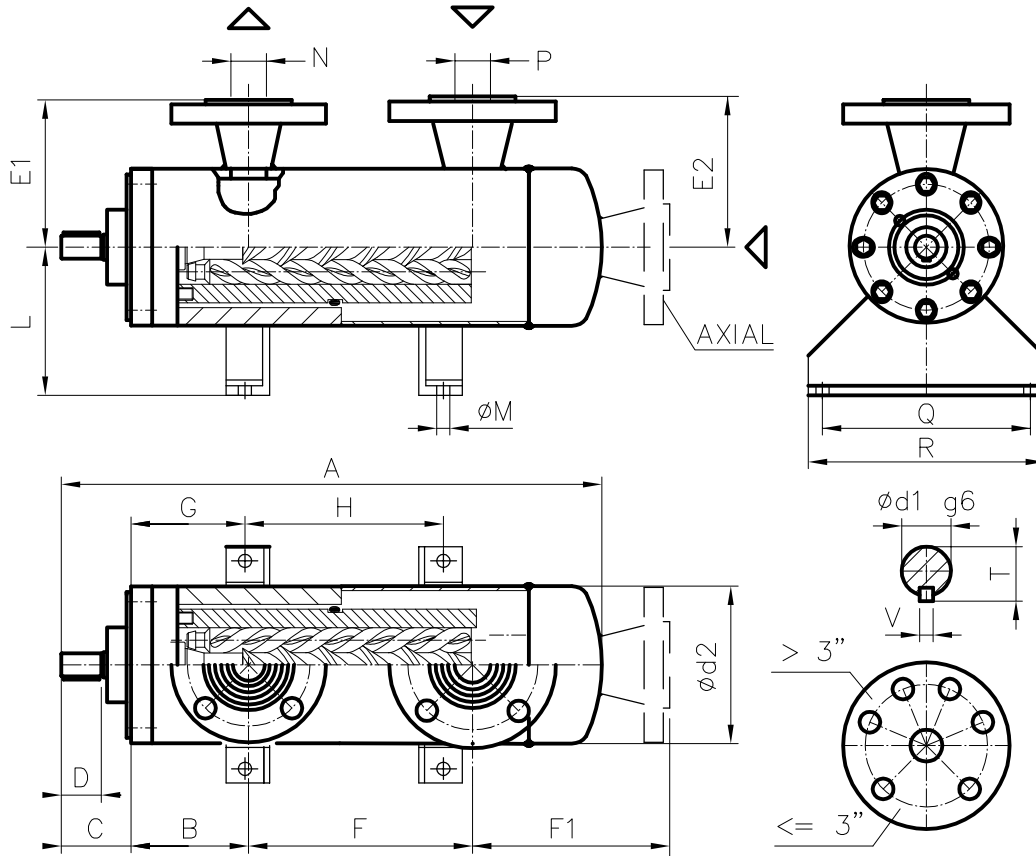
www.seim.it

SEIM reserves the right to introduce dimensional changes or variation to the products of this technical data

Screw pumps – PCX series

For hydraulic oils, lubricating oils

Admissible delivery pressure (continuous) = 30 bar at 2900 rpm
and 1450 rpm



Dimensional chart (mm)

Inlet flange can be set at origin to 90° and 180°.
N.B. : for other dimensions please contact Seim.

MODEL	A	B	C	D	E1	E2	F	F1	G	H	L	ØM	ANSI 150 RF			V	Ød1	Ød2	Q	R
													P	N	T					
PCX025#6.R	374	93	50	24	119	119	170	115	64	210	132	14	1"	1"	16	5	14	141	220	280
PCX032#4.R	460	93	75	40	124	124	170	182	64	210	132	14	1 1/2"	1"	22	6	19	141	220	280
PCX040#4.R	460	93	75	40	172	172	170	182	64	210	132	14	2"	2"	22	6	19	141	220	280
PCX045#4.R	540	109	82	46	143	143	190	222	109	210	160	14	3"	2"	35	10	32	168	220	280
PCX055#4.R	540	109	82	46	143	143	195	222	109	210	160	14	4"	2"	35	10	32	168	220	280
PCX060#4.R	620	138	83	46	173	173	250	219	118	310	180	18	4"	3"	35	10	32	219	220	280
PCX072#3.R	638	138	101	58	173	173	250	218	120	310	180	18	4"	3"	35	10	32	219	220	280
PCX083#3.R	838	190	127	80	215	235	350	253	120	460	280	22	6"	4"	43	12	40	219	320	380
PCX102#3.R	914	190	144	80	203	268	350	316	140	460	280	22	6"	4"	43	12	40	273	320	380
PCX126#3.R	953	195	144	80	241	300	400	287	170	460	280	22	8"	6"	43	12	40	324	320	380
PCX156#3.R	1150	250	186	94	327	327	490	322	170	460	280	22	10"	10"	51	14	50	406	320	380

SEIM srl
Via A. Volta 17
20090 Cusago (MI) ITALY
Tel. (+39) 02.90.39.21.1
Fax (+39) 02.90.39.21.41
e-mail: seim@seim.it

www.seim.it